

CARACTERISTICAS TECNICAS

TECHNICAL DATA

- ▶ Dimensiones (L x A x A) : 1240 mm * 876 mm * 960 mm
- ▶ Peso vacío (con el monitor) : 260 Kg
- ▶ Peso máximo (con el monitor) : 310 Kg
- ▶ Carga útil : 340 Kg
- ▶ Velocidad : 2,6 Km/h (con o sin carga)
- ▶ Capacidad de paso de obstáculo : 265 mm
- ▶ Cuesta abajo o arriba : 31°
- ▶ Angulo de basculo : 28°
- ▶ Distancia de freno : 0 m (con o sin carga)
- ▶ Radio de giro : 770 mm
- ▶ Desviación en línea recta : inferior al 1°
- ▶ Tratamiento anti corrosión : aleación de aluminio anodizado
- ▶ Autonomía : 2/4 horas (1 o 2 baterías)
- ▶ Alcance radio : superior a 200 m en campo libre
- ▶ Sellado : IP66
- ▶ Trasmisión video numérico
- ▶ Cámara sumergible acero inoxidable 316L (50m) sensor 976 x 582 pixels (sensor Sony Super HAD II)
- ▶ Proyector de largo alcance con LEDs 1500 LM, IP67
- ▶ Batería adicional de 48W 60 Amp./hora
- ▶ Maleta de transporte del mando de control

- ▶ Dimensions (L x l x H): 1240 mm * 876 mm * 960 mm
- ▶ Tare weight (monitor included): 260 Kg
- ▶ Maximum weight (monitor included): 310 Kg
- ▶ Payload: 340 Kg
- ▶ Speed: 2,6 Km/h (regardless of the load)
- ▶ Obstacle clearance: 265 mm
- ▶ Up and down slope: 31°
- ▶ Tilting angle: 28°
- ▶ Breaking distance : 0 m (regardless the load charge)
- ▶ Turning radius: 770 mm
- ▶ Less than 1° deviation in straight line
- ▶ Anticorrosion treatment: adonised aluminium alloy
- ▶ Duration: 2/4 hours (1 or 2 batteries)
- ▶ Radio range: greater than 200 m in free field conditions
- ▶ Waterproofing: IP66
- ▶ Numeric video transmission
- ▶ Stainless steel waterproof camera 316L (50 m) 976 x 582 pixels (Sony Super HAD II sensor)
- ▶ LED long range projectors 1500 LM, IP67
- ▶ Extra battery 48 V 60 amp/hour
- ▶ Control system transport case

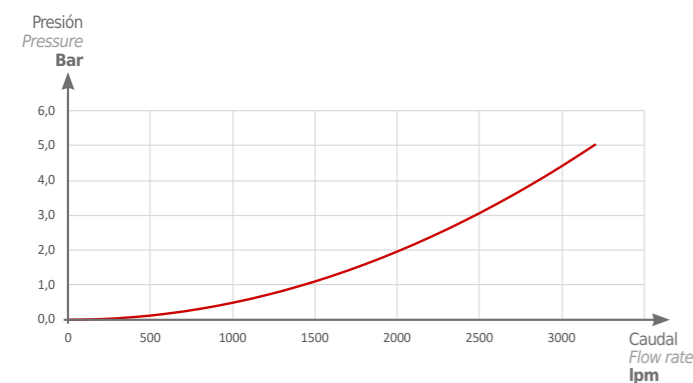
GRAFICOS

CHARACTERISTIC GRAPHS

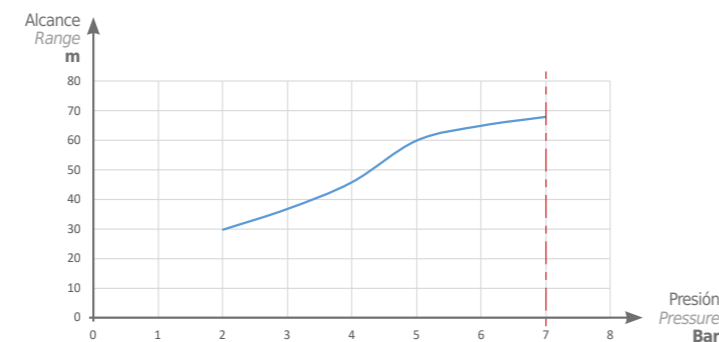
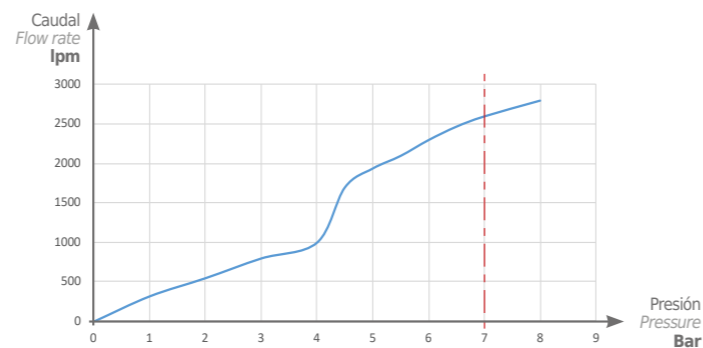
▶ Gráfico de la pérdida de carga para el conjunto del monitor y robot
DN65 monitor and robot assembly pressure loss graph

$$Kv = 1677 - Kv \text{ puesto en } \frac{Q(l/min)}{\sqrt{P(bar)}}$$

$$Kv = 1677 - Kv \text{ is expressed in } \frac{Q(l/min)}{\sqrt{P(bar)}}$$



▶ Gráficos caudal / presión / alcance del monitor DN65 con difusor automático
2500 L/min
DN65 monitor and automatic diffuser 2500 lpm
Flow rate / pressure / range graphs



PLA_01169_Flyer SP-EN Jupiter_Jupiter

JUPITER



POK SAS

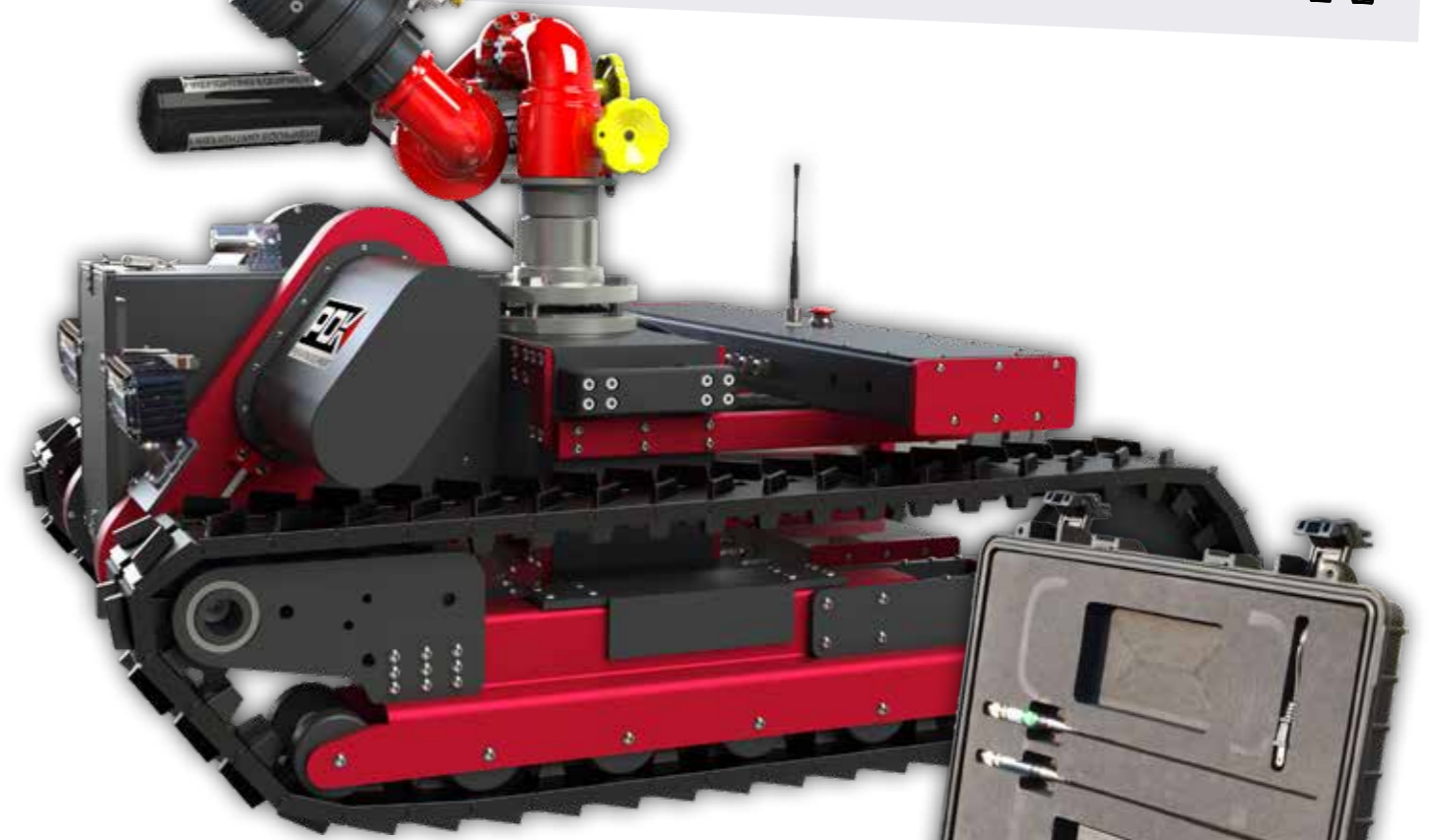
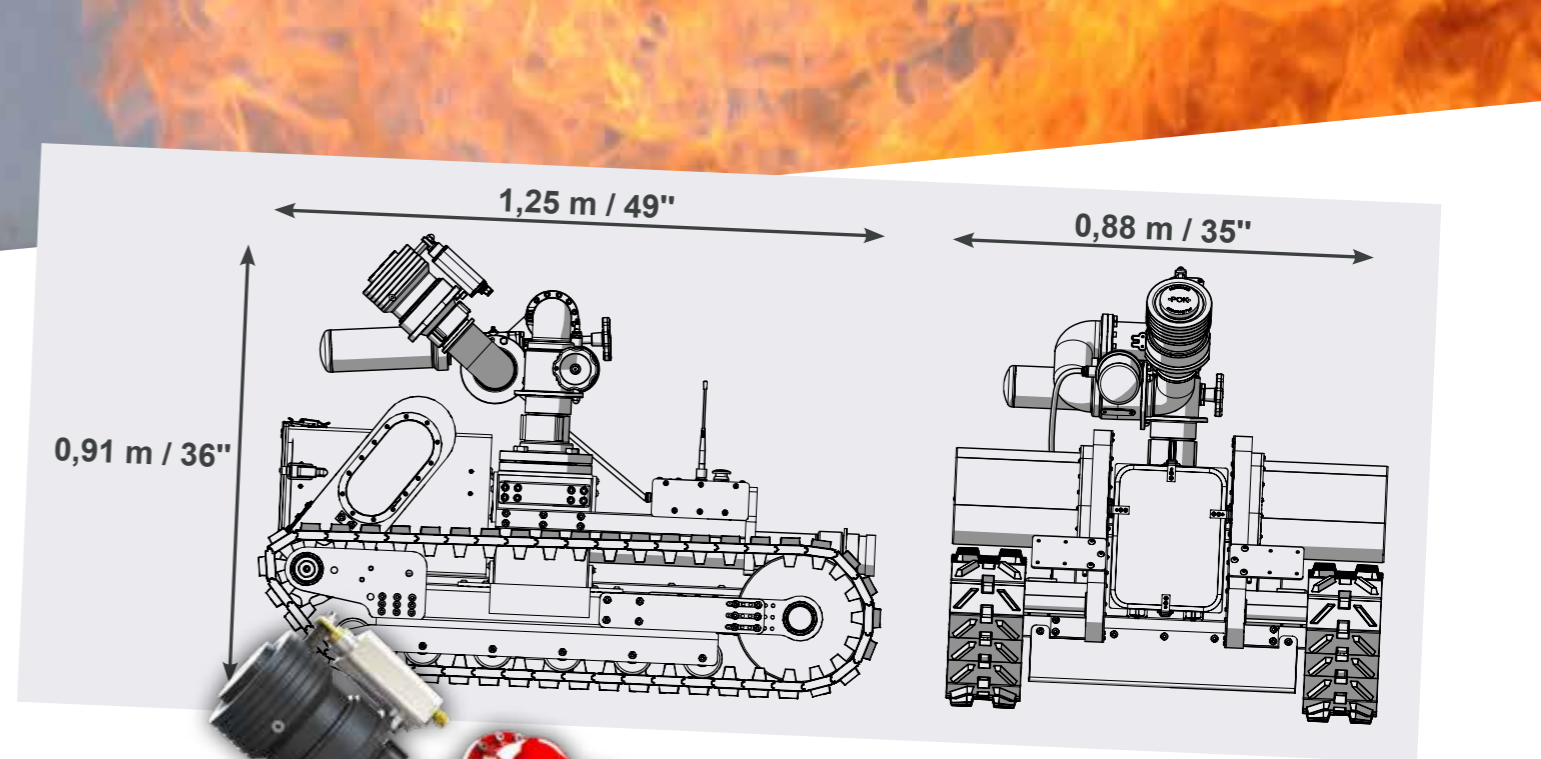
18 Cours Antoine Lavoisier - 10400 Nogent-sur-Seine - FRANCE
Tel. : +33 (0)3 25 39 84 78 - Fax: +33 (0)3 25 39 84 90
info@pok.fr export@pok-fire.com www.pok.fr



YouTube



FABRICANTE CON PASION - WE CREATE WITH PASSION



VENTAJAS

- ▶ Intervenciones en espacios confinados
- ▶ Marcha atrás y rotación 360° posibles
- ▶ Maniobra excelente gracias a su mando de control de velocidad progresiva
- ▶ Centro de gravedad muy bajo para mejor Adherencia en todos terrenos
- ▶ Paso fácil de obstáculos / escaleras
- ▶ Mando de control combinado robot/monitor operado por un solo operador
- ▶ Luces con LEDS en aluminio : mas de 50 metros de alcance
- ▶ Cámara de alta resolución con LEDS permitiendo el uso perfecto de noche (alcance de 10 metros en la oscuridad total)
- ▶ Sistema totalmente sumergible
- ▶ Estabilidad de imagen excepcional con sistema de transmisión video numérico
- ▶ Posibilidad de agregar un peso
- ▶ Tracción de 60 metros de manguera de 2 ½" con agua

LEADING EDGE

- ▶ Ability to operate in very confined spaces
- ▶ Reverse and 360° swivel functionalities
- ▶ State-of-the-art maneuverability thanks to its progressive speed control
- ▶ Low gravity centre for better grip on all ground types
- ▶ Ability to clear stairways or obstacles
- ▶ Combined remote control for the monitor and the robot with single operator mode
- ▶ 50 m led spotlight made of aluminium
- ▶ Fitted with a high-resolution night operating LED camera with a 10 m range in total darkness
- ▶ Fully submersible
- ▶ Great image stability thanks to its digital video transmission
- ▶ Possibility to add ballast
- ▶ Can be equipped with a 60 m DN65 hose

